



BROWNS

EST: 1830

Agricultural Machinery Co. Ltd
Manufacturers of Farm Implements & Machinery



SUPERGRAB

FOR ROUND & SQUARE BALES

Owners Illustrated Instruction Book & Parts List

Grovebury Road, Leighton Buzzard, Bedfordshire. LU7 4UX. UK.

Tel:01525 375157. Fax:01525 385222.

Email: enquires@brownsagricultural.co.uk

www.brownsagricultural.co.uk

Contents

EC declaration of conformity	1
Machine Identification	1
1.0 Introduction	2
1.1 General Information	2
2.0 Technical Specifications	3
3.0 Safety notes and warnings	4
3.1 Machine Decals	5
3.2 Delivery	5
4.0 Intended Use	6
4.1 Operating Instructions	6
4.2 Storage	6
5.0 Maintenance instructions	7
5.1 Tightening torques & spanner sizes	7
6.0 Parts Lists	8
7.0 Dismantling & disposal	9
8.0 Warranty Guidelines	9
8.1 Modifications	9

EC Declaration of Conformity

Browns Agricultural Machinery Co Ltd declare that the **Browns Supergrab**, as defined by the Serial Number attached to the machine, conforms with the following Directives and Regulations, and has been certified accordingly.

EC Machinery Directive 2006/42/EC.
The Supply of Machinery (Safety) Regulations 2008.
The Provision and Use of Work Equipment Regulations 1998.

Specifically related harmonised standards are:

EN ISO 12100-1: 2003 (Safety of Machinery).
EN ISO 12100-2: 2003 (Safety of Machinery).
EN ISO 4254-1 : 2005 (Agricultural machinery - Safety).

THE MANUFACTURER:

Browns Agricultural Machinery Co. Ltd.
Grovebury Road,
Leighton Buzzard,
Bedfordshire. LU7 4UX.

Telephone (+44) 0 1525 375157

Person empowered to draw up the declaration on behalf of the manufacturer of his authorized representative

Name: David Hanson

Signature:



Job Title: Design & Safety

Employer: Browns Agricultural Machinery

Place of declaration: LU7 4UX

Date of declaration: 1st January 2017

Machine Identification

Enter the relevant data in the following list upon acceptance of the machine.

Serial Number	
Type of Machine	
Machine Width	
Year of Construction	
Delivery Date	
First Operation	
Dealer Name	
Dealer Address	

1.0 Introduction

Congratulations on your purchase of a new Browns machine. In order to correctly use the machine please carefully read this manual. The manual has been written to provide operating and maintenance procedures and related safety information which will allow you to use and maintain this machine in a correct and safe manner.

This operators manual should be regarded as part of the machine. You must ensure that you and anyone else who is operating, maintaining or working with the machine be familiar with the operating and maintenance procedures and related safety information contained in this manual.

Owners must give operating instructions to operators or employees before allowing them to operate this machine. It is the operators responsibility to read and understand all safety and operating instructions in this manual. Remember all accidents can be avoided.

A person who has not read and understood all operating and safety instructions is not qualified to operate the machine. An untrained operator exposes themselves and bystanders to possible serious injury or death.



Caution

This symbol indicates important safety messages in this manual. When you see this symbol, be alert to the possibility of injury to yourself or others, and carefully read the message that follows.

**The most important safety device on the machine is a
safe operator**

1.1 General Information

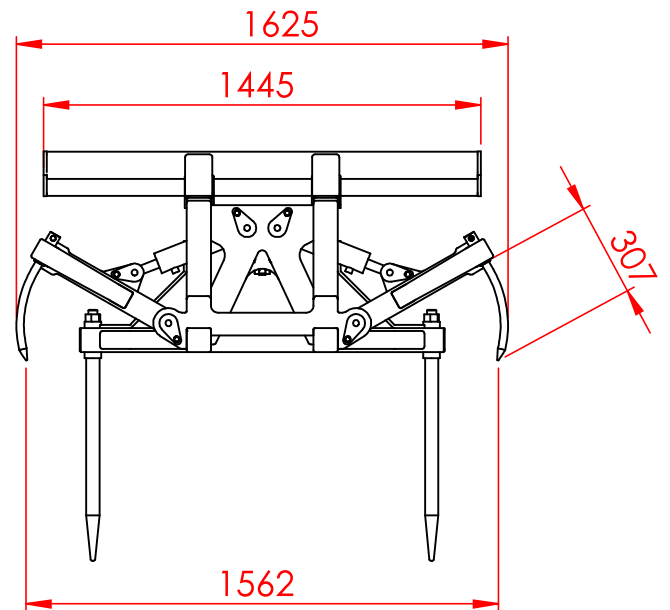
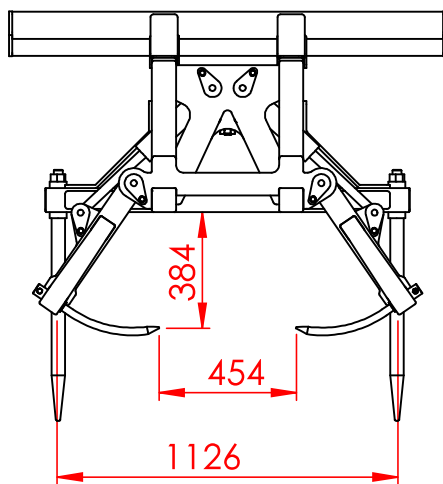
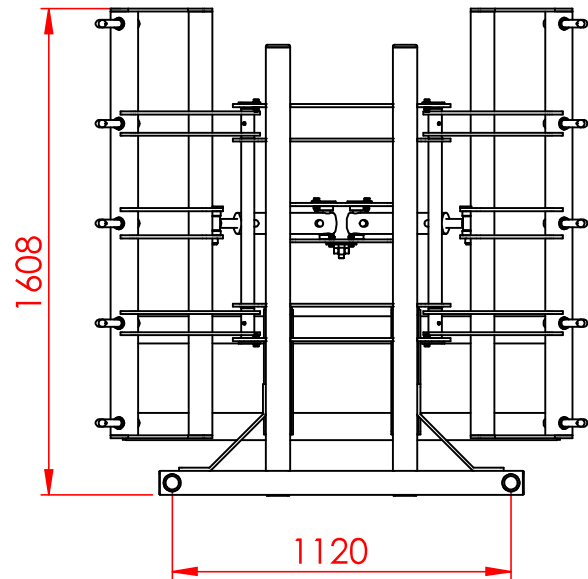
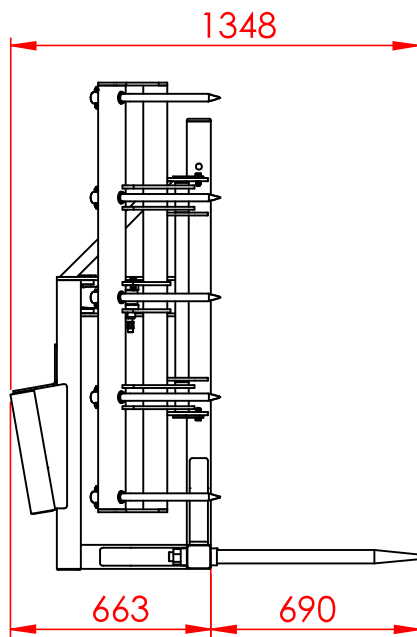
The illustrations and data used in this manual were current at the time of printing, but due to possible engineering or production changes, this product may vary slightly in detail. Browns reserves the right to redesign or change components as may be necessary without notification to anyone.

No liability can be accepted for inaccuracies or omissions in this manual, although every possible care has been taken to make it as complete and accurate as possible.

Throughout this manual, references may be made to,

- **LEFT-HAND SIDE** - the side which is on the left only when an observer is facing in the normal forward direction of travel of the machine, i.e. the operator looking forward from rear of machine.
- **RIGHT-HAND SIDE** - the side which is on the right only when an observer is facing in the normal forward direction of travel of the machine.
- **COMPETENT PERSON** - for any task means a person who has acquired through training, qualifications or experience, or a combination of them, the knowledge and skills to carry out that task.

2.0 Technical Specifications



Technical Specifications	
Width	1625 mm
Length	1348 mm
Depth	1608 mm
Weight	325 kg
Hydraulics	Double Acting
Max. Pressure	200 Bar

3.0 Safety Notes & Warnings



Only competent and trained operators should use and maintain the machine. Ensure this manual has been read by every person who is intending to use or maintain it.



Be aware of moving parts on the machine that may cause a crushing hazard to the hands and body. Never place hands near pivot arms.



Study operator manual thoroughly before maintenance is carried out and always turn the tractor off and remove key.



Ensure that the loader is of sufficient size to provide adequate stability when in operation, refer to the tractors operator manual when operating on sloping ground.



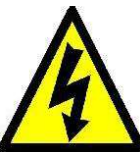
High pressure fluid hazard. Escaping oil under pressure can penetrate the skin causing serious injury. Avoid the hazard by relieving pressure before disconnecting hydraulic pipes. Search for leaks with a piece of cardboard.



Do not allow any person to stand in between the machine unless the machine is lowered to the ground and the tractor is turned off with the key removed.



Never stand, or allow anyone else to stand, under a raised loader either with or without a bale loaded.



Beware of overhead electrical hazards .



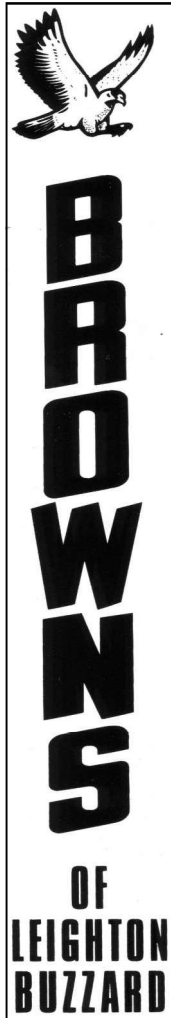
The grab is only designed for handling round bales and square bales of straw or hay.



Always ensure the grab is place on level ground when disconnecting. □

3.1 Machine Decals

The decals should be considered part of the machine. Any decal that refers to warnings or hazards must be replaced immediately if it become lost or illegible.



Part No. 80010



Part No. 80006



Part No. 80002



Part No. 80076



Serial number required
Before a duplicate can
Be issued.

3.2 Delivery

The machine is delivered fully assembled. Only a competent driver should attempt to unload the machine with knowledge of slinging and lifting. A forklift or loader with sufficient lifting capacity should be used, check the technical specifications for the specific model to find the machine weight before any lifting takes place. Place the machine onto a firm flat surface.

Once unloaded check over the machine for any transport damage to hydraulic hoses or the frame.

4.0 Intended use

The bale handler is designed to attach to tractor loaders or telescopic handlers which also have a third hydraulic service installed.

The handler is designed to handle 3 x midi bales or two heston square bales and two round bales up to 6 feet in diameter.

The handler is operated using double acting hydraulic rams, a check valve may be required on certain loader hydraulic circuits to hold pressure in the rams when gripping bales.

4.1 Operating instructions

Once you have read and understood the Safe Use chapter (page 4) you are now ready to use the bale handler. Connect the handler to the loader with suitable brackets that match the intended loader. Connect the hydraulic couplers ensuring the loader is turned off. Check that the loader does not generate more than 200 bar pressure. If it does then contact your local dealer to fit a pressure relief valve.

Use the loaders third service hydraulic supply to grab the bales and the rotate vertically or horizontally to suit your stack formation. Ensure the curved tine fully penetrate the bales.

When handling round bales the lower two straight tine are best removed. Always lift slowly and check stability.□

4.2 Storage

- Store the unit undercover if possible.
- Thoroughly clean and grease the unit before storage to ensure it is in full operating condition when next required.
- Protect any exposed areas against rust. If you need to spray areas with oil, use light biologically degradable oils such as rape oil.
- Store the unit in an area away from human activity.
- Do not park equipment where it will be exposed to livestock. Damage and livestock injury could result.
- Do not allow children to play on or around the stored unit.

5.0 Maintenance Instructions

The bale handler must be inspected regularly to ensure it is functioning correctly. All problems identified must be rectified prior to its use. Where parts or components require replacing, replacements must be identical or equivalent to the original parts or components. All work must be carried out by a competent person.

Before Use

- Check all bolts and nuts are tight.
- Check all hydraulic hoses for damage, replace if required.
- Check all hydraulic connections are tight.
- Grease main pivot pins and ram pins daily ☐

When greasing pivot pins ensure the bale handler is fully open, lowered to the ground ☐ and the loader is turned off with the parking brake applied.

5.1 Tightening torques and spanner sizes

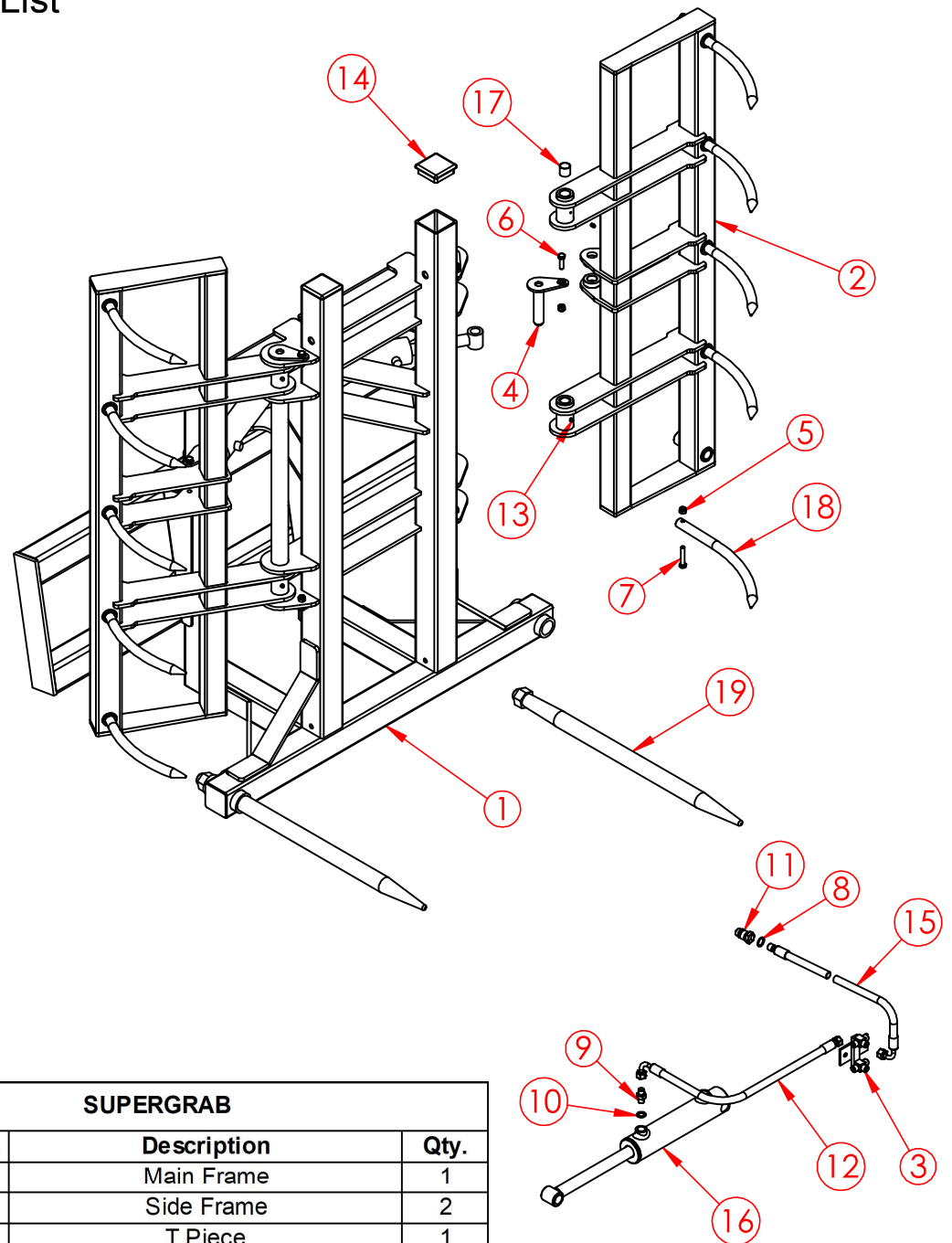
Size	Grade 8.8				Grade 10.9				Grade 12.9				Spanner Sizes mm
	lubricated (1)		dry (2)		lubricated (1)		dry (2)		lubricated (1)		dry (2)		
	Nm	lb-ft	Nm	lb-ft	Nm	lb-ft	Nm	lb-ft	Nm	lb-ft	Nm	lb-ft	
M6	9	6.5	11	8.5	13	9.5	17	12	15	11.5	19	14.5	10
M8	22	16	28	20	32	24	40	30	37	28	47	35	13
M10	43	32	55	40	63	47	80	60	75	55	95	70	17
M12	75	55	95	70	110	80	140	105	130	95	165	120	19
M14	120	88	150	110	175	130	225	165	205	150	260	190	22
M16	190	140	240	175	275	200	350	255	320	240	400	300	24
M18	260	195	330	250	375	275	475	350	440	325	560	410	27
M20	375	275	475	350	530	400	675	500	625	460	800	580	30
M24	650	475	825	600	925	675	1150	850	1075	850	1350	1000	36
M30	1300	950	1650	1200	1850	1350	2300	1700	2150	1600	2700	2000	46

(1) "lubricated" means that the screws are treated with a lubricant such as engine oil, or that phosphated or oiled screws are used.

(2) "dry" means that normal or galvanized screws without any lubrication are used.

The tightening torques listed above are for reference values. They apply provided that operating instructions do not specify other tightening torques for certain screws or nuts.

6.0 Parts List



SUPERGRAB			
Qty	Part No.	Description	Qty.
1	55028	Main Frame	1
2	55061	Side Frame	2
3	50925	T Piece	1
4	53303	Swing Pin	8
5	70011	M10 Nylock Nut	20
6	70058	M10 (8.8) x 30 Setscrew	10
7	70067	M10 (8.8) x 50 Bolt	10
8	70121	Dowty Seal 1/2"	2
9	70124	Adaptor B.S.P. 3/8 x 3/8	4
10	70342	Dowty Seal 3/8"	4
11	70364	Q/R Probe 1/2"	2
12	71033	Hose 3/8" x 0.6m	4
13	71055	Grease Nipple M6 x 1	8
14	71324	Plastic Insert 80 x 80	2
15	71361	Hose 3/8" x 2.0m	2
16	71679	Ram 400/200	2
17	71744	Bush MB2525	8
18	72025	Curved Tine 25 x 400	10
19	72026	Straight Tine Conus2 x 810	2

7.0 Dismantling & disposal

When the machine has come to the end of its useful life it should be dismantled and disposed of in a safe and environmentally friendly manner.

It is very important not to leave the machine in a state that could be dangerous for people or the environment.

Waste oil must be collected and disposed of in accordance with local regulations.

Never pour used oil into drains or onto the floor.

Worn tyres and rubber parts must be disposed of by a licensed waste disposal company.



Protect the environment and ensure contaminated parts or waste oil are always disposed of or cleaned in safe and environmentally friendly manner.

8.0 Warranty Guidelines

The period of liability for warranty relating to our products is 12 months. The warranty period shall become effective upon installation of the machine with the end user. All wearing parts are excluded from the warranty.

Warranty will only be given if the machine has been used for the purpose indicated in this manual and the original specification of the machine has not been subject to unauthorised modification.

All warranty claims must be submitted the Browns via the dealership you purchase the machine from.

All warranty work must be carried out by authorised Browns dealers using original parts.

8.1 Modifications

Your Browns machine should not be modified or altered unless officially authorised by Browns. Any modifications will make the machine out of warranty and will make the declaration of conformity for the machine void.

However, if it is necessary to carry out modifications, then all modifications must be done by a competent person, based on a risk assessment. It is important to emphasise that the competent person who undertakes the modification assumes the role of the designer and manufacturer. All safety features must be retained in the modified machine.



Safety instructions must be reviewed after all modifications are carried out and revised where necessary.