



BROWNS

EST: 1830

Agricultural Machinery Co. Ltd

Manufacturers of Farm Implements & Machinery

BALE GRIPPER

HEAVY DUTY

Owners Illustrated Instruction Book & Parts List

Grovebury Road, Leighton Buzzard, Bedfordshire. LU7 4UX. UK.

Tel:01525 375157. Fax:01525 385222.

Email:info@brownsagricultural.co.uk

INTRODUCTION

Please read this booklet carefully, and understand the safety warnings before operating the machine. It has been written to help you benefit from the full versatility and potential of your Brown's machine. The machine has been designed to give many years of satisfactory service and will do so if properly fitted, used and maintained.

SAFETY WARNINGS

1. Never allow anyone to work underneath the raised machine.
2. Never allow anyone to stand near and behind the machine when in operation.
3. Always ensure the engine is switched off before any maintenance work is carried out on the machine.
4. Ensure the tractor is of a sufficient size to provide adequate stability when in operation, especially when working on slopes.
5. Always replace broken or damaged tines immediately.
6. Never allow anybody to ride on the machine.
7. Always ensure operators are fully trained before operating machinery, ensure all operator booklets are readily available with the machine.
8. Do not operate the machine with slipping or damaged belts.
9. Follow the maintenance instructions.

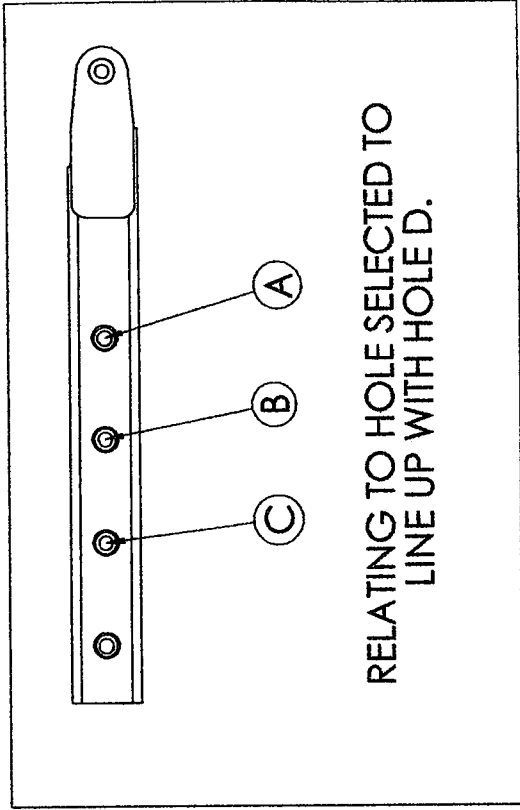
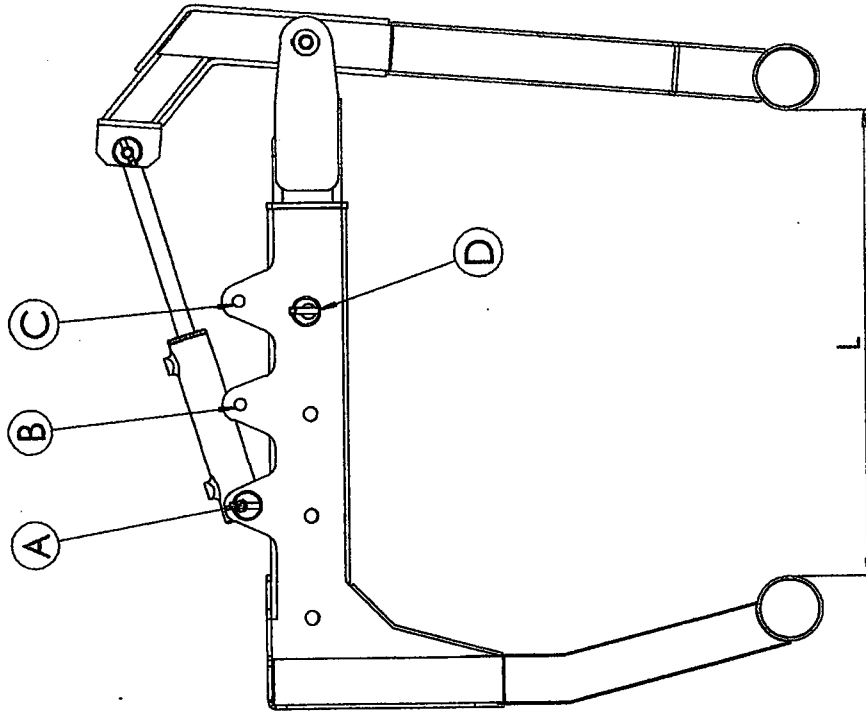
NOTE : **WORKING PRESSURE NOT TO
EXCEED 200 BAR**

OPERATION

The Brown's Heavy Duty Gripper has been designed with a telescoping main beam held in place by the use of a pin. The series of holes allow for three main positions to be obtained. Starting with the smallest, beam in as far as possible, this setting is for wrapped square bales, e.g. 800mm x 800mm cross section. The middle setting is for 900mm to 1000mm and the furthest setting is for wrapped round bales. The setting of the hydraulic cylinder must also be changed into its corresponding position.

WEEKLY MAINTENANCE

- CHECK ALL BOLTS AND PINS FOR TIGHTNESS AND EXCESSIVE WEAR.
- CHECK HYDRAULIC CONNECTIONS AND ALSO HOSES FOR ANY SIGNS OF WEAR.
- ENSURE ALL GREASE NIPPLES ARE GREASED ON MAIN PIVOT POINTS.
- LIGHTLY OIL MOVING OR SLIDING PARTS TO KEEP FREE.



RELATING TO HOLE SELECTED TO
LINE UP WITH HOLE D.

Hole Selected	L max (mm)	L min (mm)
A-A	1205	470
B-B	1385	650
C-C	1565	830

TOL.	±0.5mm
SCALE	1:12
ISSUE	1
DATE	05/06/02
DRAWN	D.Hanson

MATERIAL

TITLE

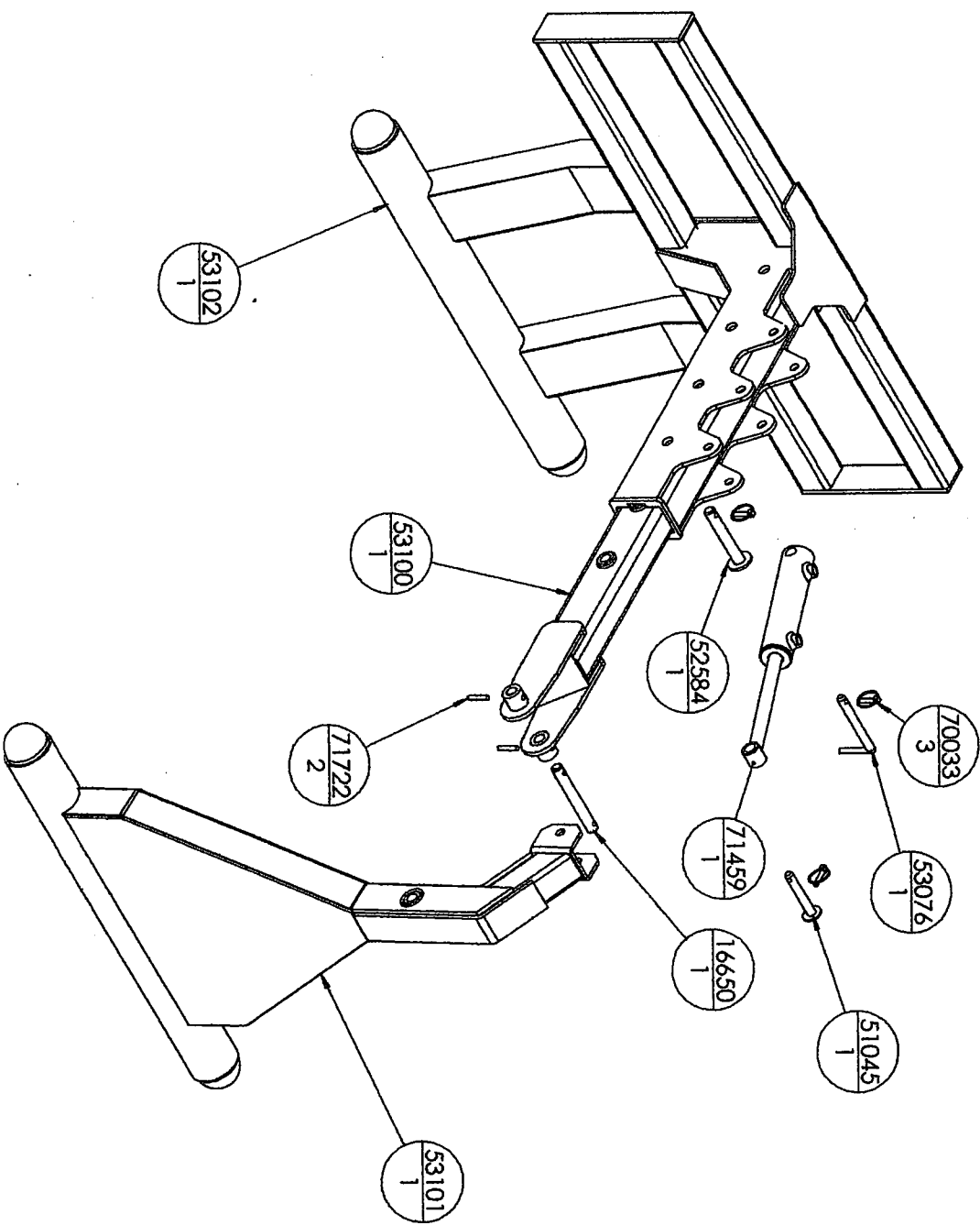
Parts Book

WORKING DIMENSIONS


Browns Agricultural Machinery Company Limited
Mentmore Road - Linslade - Leighton Buzzard
Becks. LU7 7NX Tel. (01526) 375157

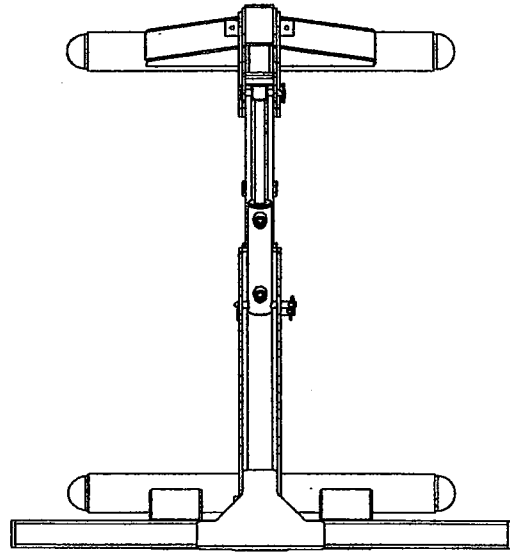
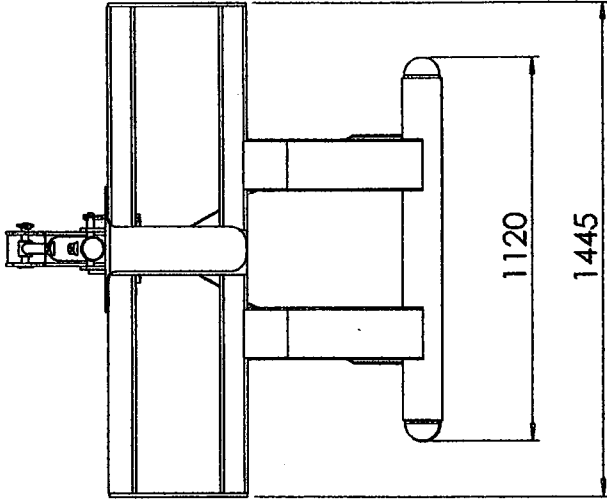
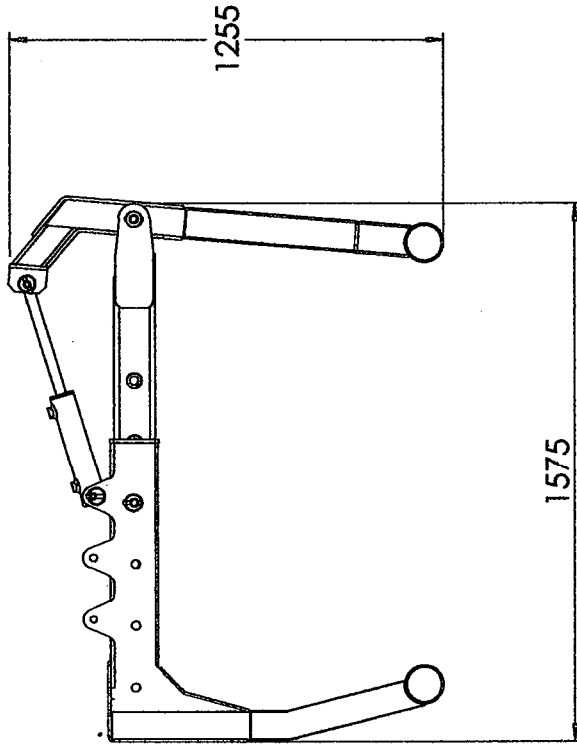


Part No. **65040**




TOL.	±0.5mm
SCALE	1:14
ISSUE	1
DATE	11/06/01
DRAWN	D.Hanson

MATERIAL	Parts Book
TITLE	GRIPPER HEAVY DUTY
 Browns Agricultural Machinery Company Limited Mentmore Road - Linslade - Leighton Buzzard Beds. LU7 7NX Tel: (01525) 375157	
Part No.	65040



WEIGHT :
 MACHINE : 216 Kg
 Max. LOAD : 1000 Kg

TOL.		±0.5mm	MATERIAL	Parts Book	
SCALE	1:20	TITLE	SPECIFICATIONS		
ISSUE	1	Part No. 65040			
DATE	05/06/02	Browns Agricultural Machinery Company Limited Mentmore Road - Leighton Buzzard Beds. LU7 7NX Tel:- (01525) 375157			
DRAWN	D.Hanson				



EC DECLARATION OF CONFORMITY

Manufacturer : Browns Agricultural Machinery Co. I.td.
Description of Machinery : Big Bale Gripper Heavy Duty
Model Number : 65040

This machine complies with EC Directives, Transposed Harmonised Standards, National Standards and Technical Specifications as follows:

89/392/EEC 91/386/EEC 93/44/EEC 93/68/EEC EN 292 pr EN 691

The machinery has been designed taking into account the essential Health & Safety Standards as detailed in the Supply of Machinery (Safety Regulations) 1992.

For and on behalf of the Manufacturer

Name : J. W. G. BROWN
Status : MANAGING DIRECTOR

The above machinery taking into account the state of art, complies with or is designed and constructed so far as possible, to comply with the relevant Health & Safety requirements as indicated in the Technical file.

THE COMPANY IS CONTINUALLY STRIVING TO IMPROVE ITS PRODUCTS AND RESERVES THE RIGHT TO MAKE IMPROVEMENTS OR CHANGES WITHOUT INCURRING ANY OBLIGATION TO ALTER ANY OF ITS MACHINES PREVIOUSLY SOLD.