



BROWNS

EST: 1830

Agricultural Machinery Co. Ltd

Manufacturers of Farm Implements & Machinery

BASHER

POST HAMMER

Owners Illustrated Instruction Book & Parts List

Grovebury Road, Leighton Buzzard, Bedfordshire. LU7 4UX. UK.

Tel:01525 375157. Fax:01525 385222.

Email:info@brownsagricultural.co.uk

INTRODUCTION

Please read this booklet carefully and understand the safety warnings before operating this machine. It has been written to help you benefit from the full versatility and potential of your Brown's machine. The machine has been designed to give many years of satisfactory service and will do so if properly fitted, used and maintained.

SAFETY WARNINGS

1. ENSURE THAT THE WARNING LABELS ARE CLEAR ON THE MACHINE.
2. ALWAYS KEEP CLEAR OF MOVING PARTS.
3. ALWAYS ENSURE THE TRACTOR IS LARGE ENOUGH TO SUIT THE MACHINE TO BE OPERATED.
4. NEVER WALK UNDER A RAISED MACHINE.
5. NEVER RIDE ON THE MACHINE.
6. ALWAYS USE THE POST HOLDER PROVIDED.
7. NEVER HOLD A POST UNDER THE MACHINE BY HAND.
8. NEVER OPERATE IF THE TRACTOR IS ON SLOPING GROUND.
9. ALWAYS LOWER TO THE GROUND WHEN NOT IN USE.
10. ALWAYS TRANSPORT HALF RAISED.
11. TAKE GREAT CARE WHEN TURNING, ESPECIALLY ON PUBLIC ROADS.

OPERATION

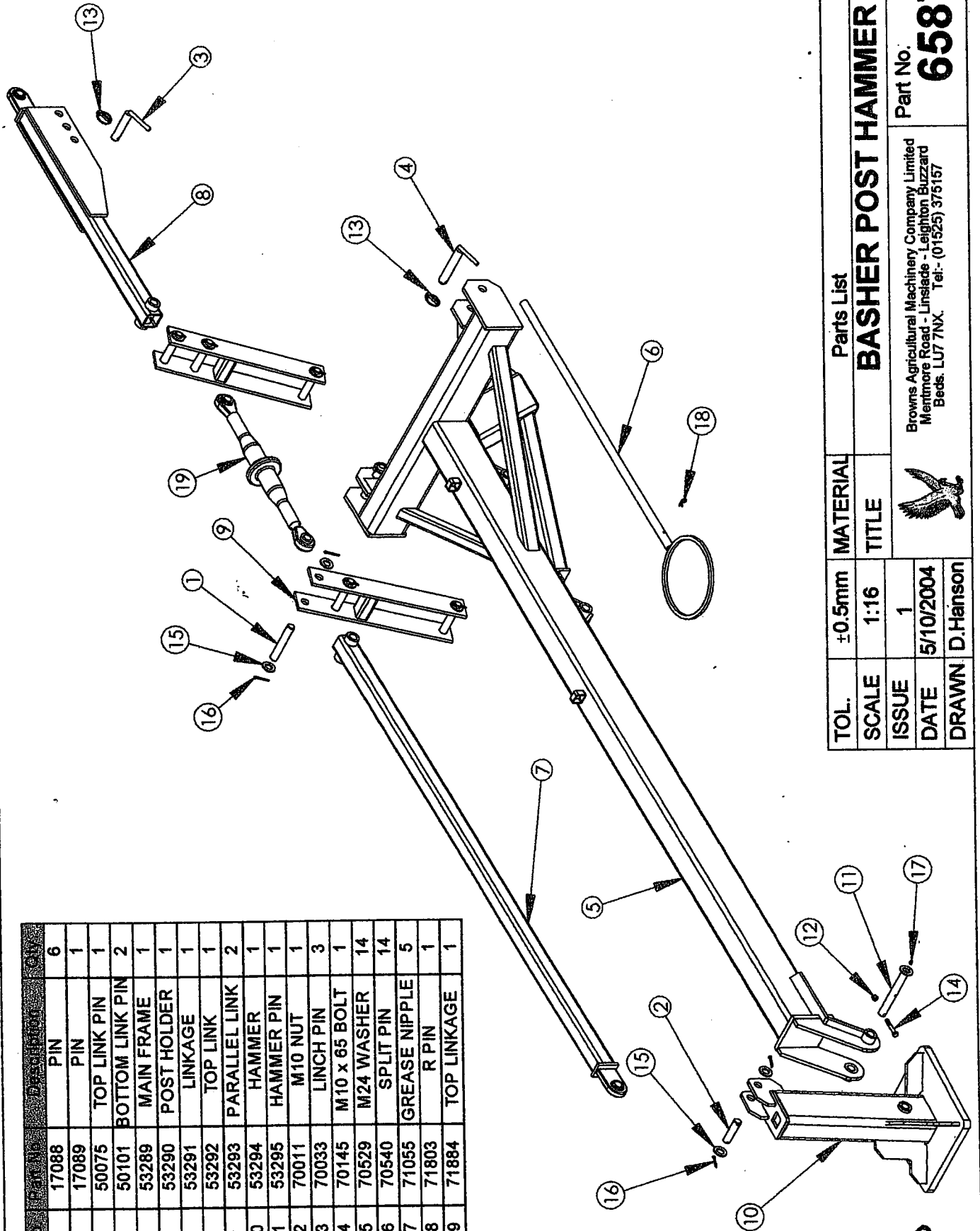
Connect the Basher to the tractor by first removing the tractor adjustable top linkage. Place the fixed top linkage arm in its place and connect the lower link arms as normal. Take the tractor's heavy duty Cat 2 top link and place this in one of the bracket holes on the underside of the fixed linkage arm, place the other end in the connecting bracket which is on the main frame below the lower linkage brackets. Ensure the top link is not extended too far as the force of the machine operating will buckle it. Finally tighten the lower link check chains to prevent side movement.

Slowly raise the machine to ensure it does not foul the tractor or itself, once this is done adjust the parallel linkage to ensure the hammer plate is parallel to the ground.

When operating, one person will stay in the tractor to position the machine and operate the hydraulic lift lever to drive the post. the other operator will stand the post up and hold it in place using the post holder provided - do not use hands on the post!

Reverse the tractor, with machine at a height just to clear the post, up to the fence line where the second operator is holding the post upright using the post holder provided and standing well clear. With the hammer held over the post apply handbrake and adjust the parallel linkage to ensure the hammer is parallel to the post. You are now ready to drive the post by lifting and lowering the lift lever as quickly as possible until the desired depth is achieved. If necessary reposition the tractor to ensure the hammer is directly over the post. In hard ground, sand can be put in the hammer for ballast.

NO.	Part No.	Description	QTY.
1	17086	PIN	6
2	17089	PIN	1
3	50075	TOP LINK PIN	1
4	50101	BOTTOM LINK PIN	2
5	53289	MAIN FRAME	1
6	53290	POST HOLDER	1
7	53291	LINKAGE	1
8	53292	TOP LINK	1
9	53293	PARALLEL LINK	2
10	53294	HAMMER	1
11	53295	HAMMER PIN	1
12	70011	M10 NUT	1
13	70033	LINCH PIN	3
14	70145	M10 x 65 BOLT	1
15	70529	M24 WASHER	14
16	70540	SPLIT PIN	14
17	71055	GREASE NIPPLE	5
18	71803	R PIN	1
19	71884	TOP LINKAGE	1



Parts List		TITLE	
TOL.	±0.5mm	MATERIAL	
SCALE	1:16	TITLE	BASHER POST HAMMER
ISSUE	1		
DATE	5/10/2004		
DRAWN	D.Hanson		



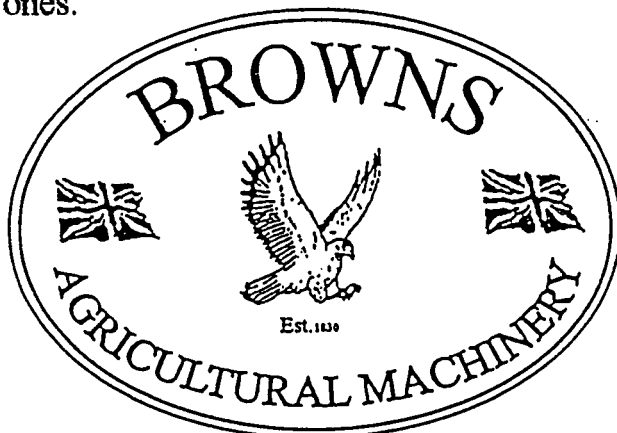
Browns Agricultural Machinery Company Limited
 Mentmore Road - Linslade - Leighton Buzzard
 Beds. LU7 7NX. Tel:- (01525) 375157

Part No.
65870

2

MAINTENANCE

Grease all pivot points regularly and check all pins and retaining pins for wear or damage. If unsure replace with new ones.



EC DECLARATION OF CONFORMITY

Manufacturer : Browns Agricultural Machinery Co. Ltd.
Description of Machinery : Posthammer 'Basher'
Model Number : 65870

This machine complies with EC Directives, Transposed Harmonised Standards, National Standards and Technical Specifications as follows:

89/392/EEC 91/386/EEC 93/44/EEC 93/68/EEC EN 292 pr EN 691

The machinery has been designed taking into account the essential Health & Safety Standards as detailed in the Supply of Machinery (Safety Regulations) 1992.

For and on behalf of the Manufacturer

Name : J. W. G. BROWN
Status : MANAGING DIRECTOR

The above machinery taking into account the state of art, complies with or is designed and constructed so far as possible, to comply with the relevant Health & Safety requirements as indicated in the Technical file.

THE COMPANY IS CONTINUALLY STRIVING TO IMPROVE ITS PRODUCTS AND RESERVES THE RIGHT TO MAKE IMPROVEMENTS OR CHANGES WITHOUT INCURRING ANY OBLIGATION TO ALTER ANY OF ITS MACHINES PREVIOUSLY SOLD.