



**BROWNS**

EST: 1830

Agricultural Machinery Co. Ltd

Manufacturers of Farm Implements & Machinery

# ***Round Bale Handler***

FOR WRAPPED BALES

Owners Illustrated Instruction Book & Parts List

Grovebury Road, Leighton Buzzard, Bedfordshire. LU7 4UX. UK.

Tel:01525 375157. Fax:01525 385222.

Email:[info@brownsagricultural.co.uk](mailto:info@brownsagricultural.co.uk)

## INSTRUCTIONS FOR FITTING TO LOADER

Mount the back frame centrally to the Loader using the correct mounting holes, pins and sleeves as required with the Universal Brackets (if purchased). The combination of holes on the brackets are designed to cater for the majority of 'Pin-Fix' type loaders.

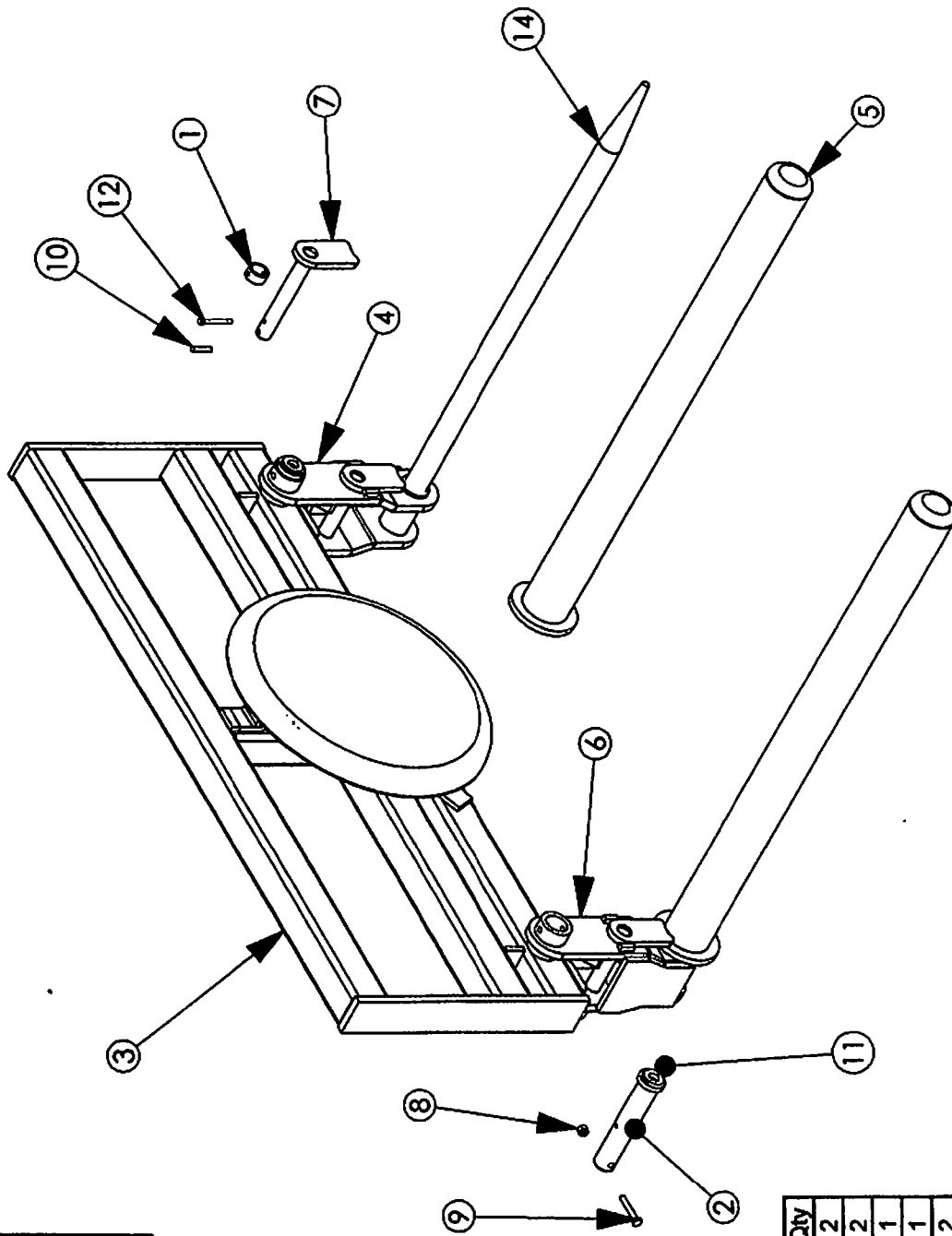
After mounting to the loader, test for full crowd and tip, ensuring that the hydraulic hoses are not trapped or stretched.

### WARNINGS

- Allow only qualified persons to operate the loader.
- Never allow anyone on the loader and/or the attachment when in operation.
- Never operate the tractor at reduced speed, especially when making turns.
- In transit keep the loader in the lowest position.
- Exercise extreme caution on inclines, irregular or uneven ground.
- Avoid lowering a heavy load and stopping suddenly.
- Do not walk or work under raised load or attachment.
- Never leave the loader or attachment in the raised position unattended.
- Beware of overhead electricity cables.
- Check the tightness of all bolts periodically. Grease moving parts regularly.
- Do not leave the ram extended when not in use as this can cause damage to the rods.
- Do not use the frame as a crane jib.
- **NOTE:** Extra supports not supplied by Brown's may be required when welding Quick Detach Brackets to the rear frame. Also make sure both box sections are tied together using heavy plate.

**WORKING PRESSURE NOT TO  
EXCEED 200 BAR**

HOSE ASSEMBLY			
No.	Part No.	Description	Qty
1	70122	DOWTY SEAL	4
2	70124	ADAPTOR	2
3	70376	O/R PROBE	2
4	71361	2W HOSE 3/8x2m	2



No.	Part No.	Description	Qty
1	17458	COLLAR	2
2	52352	PIVOT PIN	2
3	52866	MAIN FRAME	1
4	53418	HANGING BKT L/H	1
5	53419	TINE SLEEVE	2
6	53420	HANGING BKT R/H	1
7	53421	RAM PIN	2
8	70011	M10 NYLOCK NUT	2
9	70145	M10 x 60 BOLT	2
10	70312	ROLL PIN 10 x 50	2
11	71055	GREASE NIPPLE	2
12	71322	LINCH PIN LOCKING	2
13	71958	CONUS 2 TINE	2

TOL.	±0.5mm	MATERIAL
SCALE	1:2 <td>TITLE</td>	TITLE
ISSUE	1	
DATE	8/9/2006	
DRAWN	D.Hanson	

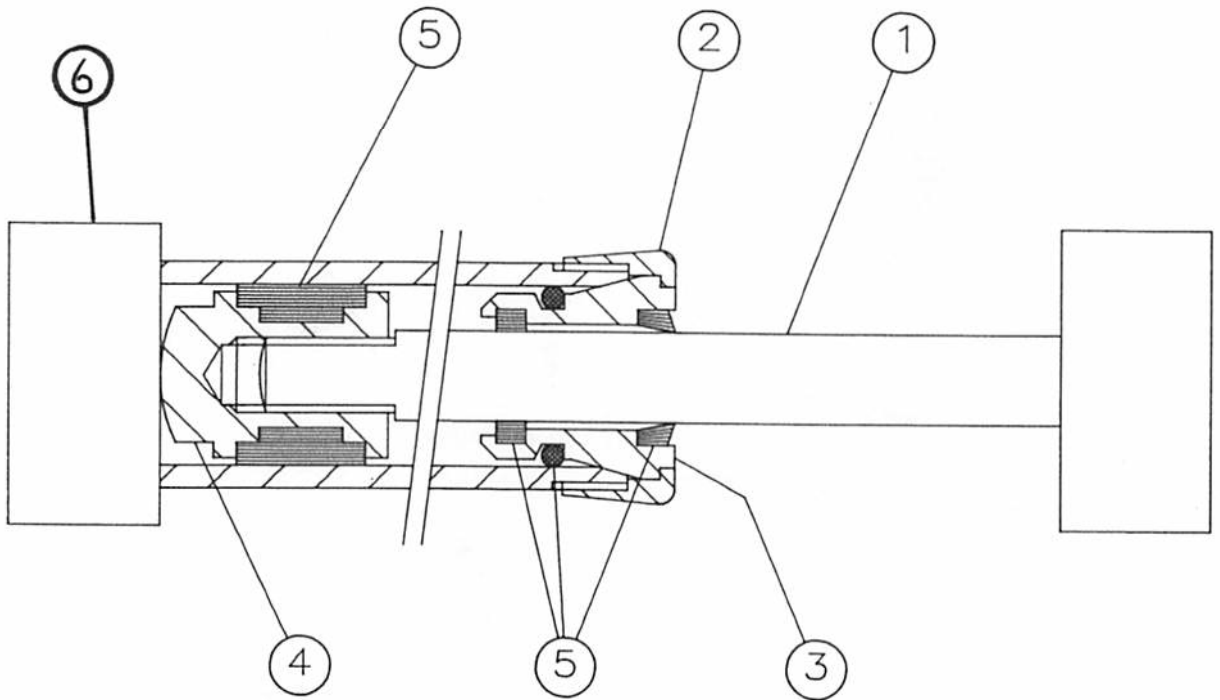


Browns Agricultural Machinery Company Limited  
 Meritmore Road - Linslade - Leighton Buzzard  
 Beds. LU7 7NX. Tel: (01525) 375157

Part No.  
**65001**

# HYDRAULIC CYLINDER (71456)

ITEM	PART NO	DESCRIPTION	NO OFF
1	91827	Piston Rod	1
2	91823	End Cap	1
3	91826	Head Bush	1
4	91824	Piston Head	1
5	91825	Seal Kit	1
6	91822	Case Only .	1





## **EC DECLARATION OF CONFORMITY**

**Manufacturer** : Browns Agricultural Machinery Co. Ltd.  
**Description of Machinery** : Bale Handler (for wrapped round bales)  
**Model Number** : 65001

**This machine complies with EC Directives, Transposed Harmonised Standards, National Standards and Technical Specifications as follows:**

89/392/EEC 91/386/EEC 93/44/EEC 93/68/EEC EN 292 pr EN 691

**The machinery has been designed taking into account the essential Health & Safety Standards as detailed in the Supply of Machinery (Safety Regulations) 1992.**

**For and on behalf of the Manufacturer**

**Name** : J. W. G. BROWN  
**Status** : MANAGING DIRECTOR

**The above machinery taking into account the state of art, complies with or is designed and constructed so far as possible, to comply with the relevant Health & Safety requirements as indicated in the Technical file.**

**THE COMPANY IS CONTINUALLY STRIVING TO IMPROVE ITS PRODUCTS AND RESERVES THE RIGHT TO MAKE IMPROVEMENTS OR CHANGES WITHOUT INCURRING ANY OBLIGATION TO ALTER ANY OF ITS MACHINES PREVIOUSLY SOLD.**